

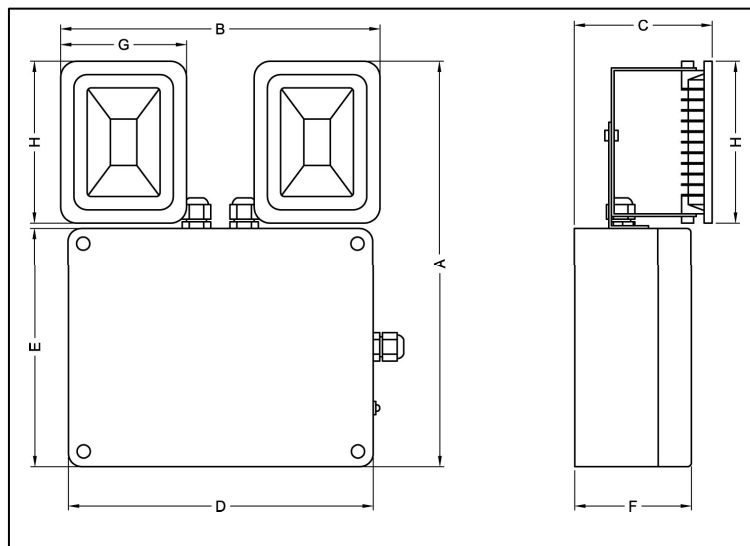
## SELF CONTAINED LED EMERGENCY PROJECTOR Serie ARA

Self-contained LED luminary with 360° adjustable spotlights. Self-test.

### Characteristics:

Model	<b>ARA 2000</b>	
Supply	230V~ 50/60Hz	
Functioning	Non maintained	
Lamp	2 LED spotlights 10W	
Orientation	360°	
Colour temperature (CCT)	4000K	
Lumens	1600 Lm	
Battery	Li-Ion 11,1V - 4,4Ah	
Autonomy	> 1 hour	
Battery charging current	170-200mA	
Battery recharge time	24 hours	
Final battery discharge voltage	9 VDC	
Maximum load protection voltage	12,6VDC	
Verification	Self-test	
Signaling	Two-coloured LED (Green - Red)	
Grade IP	IP65 IK08	
Protection	Class I	
Box	Black colour	
Ambient temperature	0-40°C	
Installation	Surface	
Weight	1,56Kg	
CE marked	Directives 2014/35/UE 2014/30/UE	
Manufactured	UNE-EN 60598-2-22	

### Dimensions:



Model	A	B	C	D	E	F	G	H
ARA 2000	300	182	100	230	180	88	80	100

### Automatic verification test (Self-test):

Once installed, the device performs an automatic test once a month, entering in emergency mode for 1 minute.

Once a year (after 11 months of installation), the device performs a test of the complete discharge of the battery and check that the autonomy is correct.

**INDICATIONS:**

1. GREEN LED ILLUMINATED: Power ON and status OK.
2. RED LED ILLUMINATED: Device failure (LED lamp or battery).

RESET: once the fault has been rectified, disconnect the battery for more than 30 seconds to do a RESET and remove the fault alarm.

**Installation:**

- Work with the main voltage of the installation switched off.
- Open the cover and fix the box on the surface where it has to be located.
- Feed the 230V mains hose through the stuffing box and y connect the Phase at terminal "L", the neutral at terminal "N" and the earth connection.
- Orient the spotlights towards the area to be illuminated.
- Supply mains voltage to the equipment and verify that the two-colour LED lights up green.

**Maintenance:**

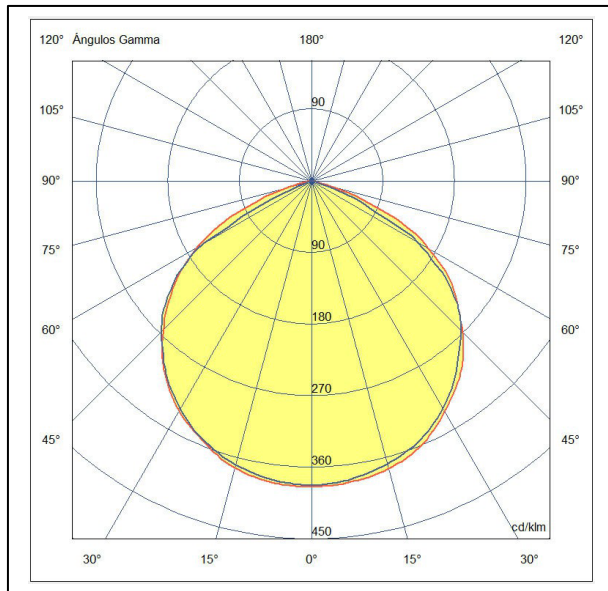
The manipulation and the installation of the kit should be done by qualified technicians.

Before installation make sure the mains is OFF.

The Li-Ion battery must be replaced when the autonomy time of the equipment is less than that assigned. It is convenient to write down the date of the change. In normal use it is advisable to change the battery after 2 years.

The old battery and components should be recycled in a proper way, as it can be harmful for the environment.

**Photometric curve:**



**Connection diagram:**

