

LED CONVERSION KIT EMERGENCY BOX 40 IP65

CHARACTERISTICS



230V - 50/60Hz



CE marked



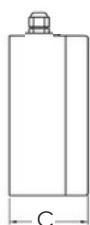
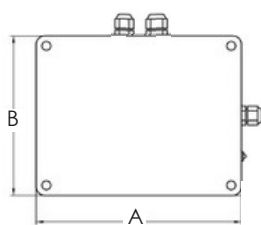
IP65/IK08



Class II

- Maintained - Non maintained.
- Autotest/Self-test.
- Bicolour LED signaling.
- Ambient temperature: 0°C ~ 40°C.
- Maximum distance to lamp: 2 meters.
- Surface installation.
- Operation with internal and external driver.
- Battery charging: 24 hours.

DIMENSIONS



A	275
B	150
C	95



REFERENCES

Model	Battery LiFePO4	Autonomy	Output current	Output power (W)	Code
EMERGENCY BOX 40 IP65	12.8V 5.000 mA	1 h	Automatically adjusted	8W-40W	32120

FUNCTIONING

POWER PRESENCE:

The device charges the battery and the LED lights up in green colour indicating mains presence. In maintained mode, the kit feeds the luminaire connected to the output of it with the mains voltage that reaches its input (Lin). In non-maintained mode the luminaire is off.

POWER FAILURE:

The kit enters in emergency mode. The LED goes off. In maintained mode, the kit continues to feed the internal driver of the lamp with battery power (DC-DC). In non-maintained mode, the kit illuminates the lamp same as indicated above.

SELF-TEST:

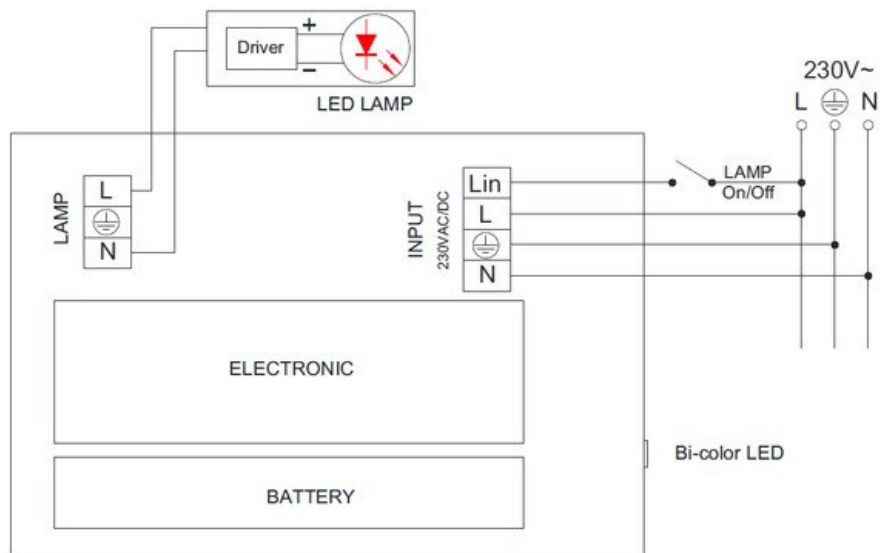
- Monthly test (once a month for 1 minute): function test.
- Annual test (once a year for 1 hour): battery test.

Test results:

1. Green LED illuminated: power on and correct function.
2. Red LED illuminated: device failure (lamp or battery).

RESET:

Once the fault has been corrected, disconnect the battery for more than 30 seconds to make a reset and remove the fault alarm.



MAINTENANCE

- Make sure the mains supply and battery is switched off.
- Batteries should be changed once their duration gets inferior to the assigned. In normal use it is advisable to change the battery at 2 years.
- The kits should be checked at least once a year by qualified technicians.
- Always verify the mains voltage is adequate to the input voltage of kit.
- Batteries and equipment should be re-cycled in adequate way.

INSTALLATION

- See connection diagram in the functioning.
- Switch off the power to make the installation.
- Connect the lamp to the connectors of the kit (LAMP LED).
- Connect the power line to the kit connector (L), this line should be permanent, if disconnected the kit will enter emergency mode.
- Connect the neutral (N) of line to kit connector (N).
- Connect the mains line (L) but which has the ON / OFF switch of the luminaire on the kit terminal marked (Lin). It has to be the same phase as the permanent line connected in (L).
- Connect the battery to the connector of kit verifying the correct polarity.
- Switch on the main power and verify that the green LED is on. In permanent mode if the switch of the line L is ON, the luminaire is ON.
- Batteries are supplied discharged.

ATTENTION:

It is not convenient to leave the battery connected in the kit, if it is not connected to mains. The electronic circuit at rest has a small consumption that over time discharges the battery excessively and this is harmful to it. In case of stoppage or the installation for a long period or storage, disconnect the battery.